

PTH

Laos Steel Structure Warehouse

1. Project time : 2018
2. Project site : Laos
3. Project scale : 710m²
4. Product type : Steel structure
5. Usage : Warehouse
6. Project features : Traditional steel structure frame, using H-shaped steel + veneer wall panel + thermal insulation roof



Project Design

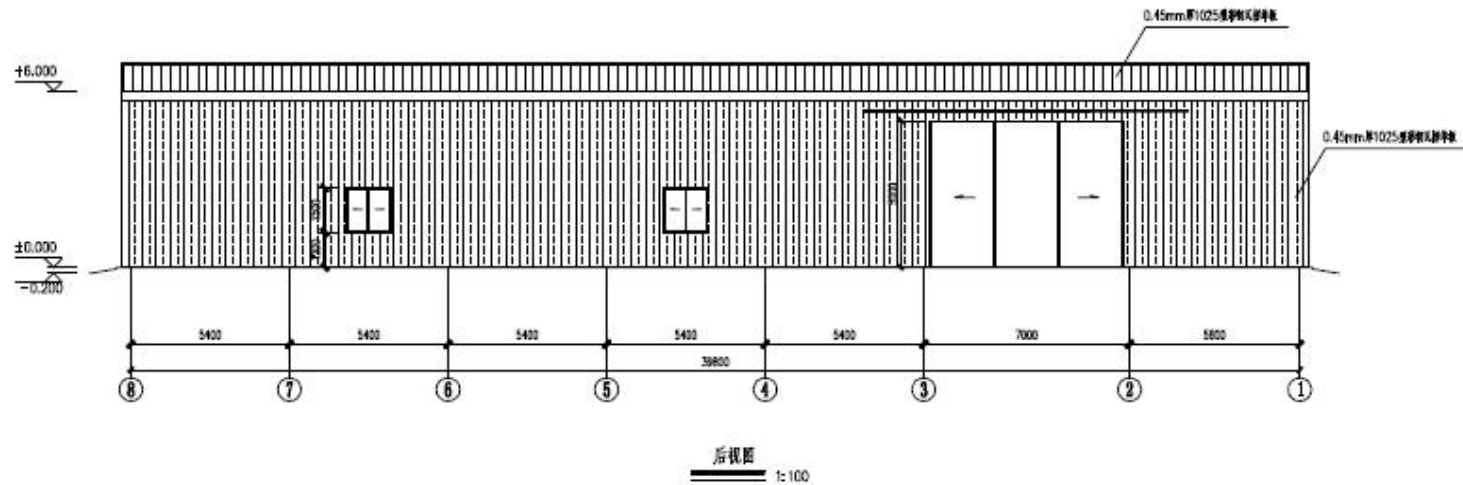
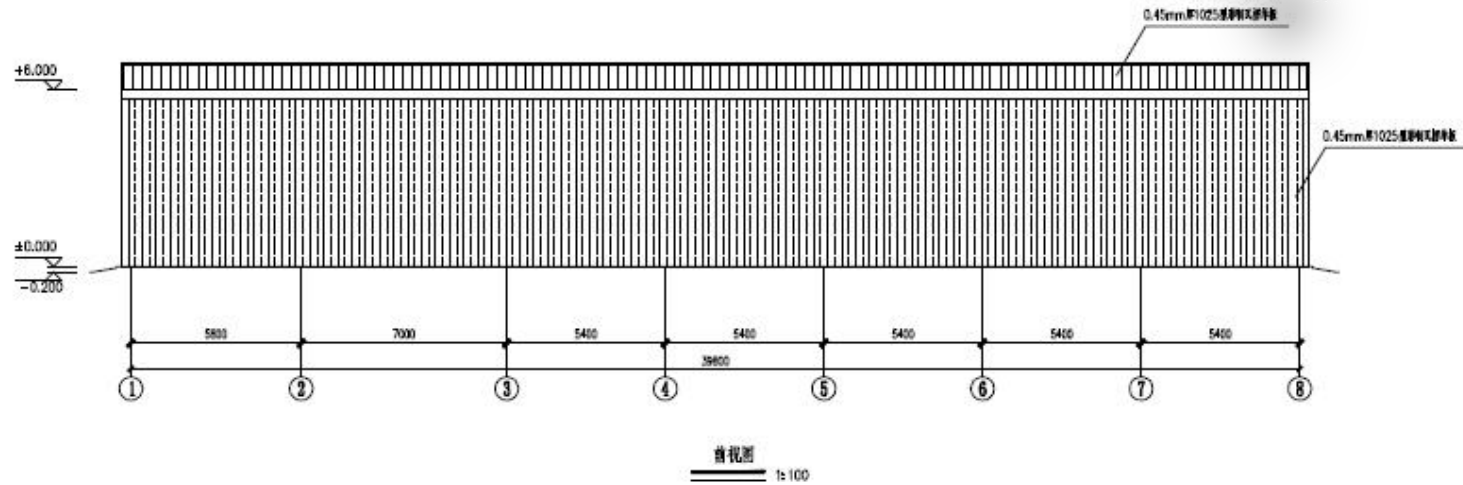


PTH has more than 100 R&D design and technical engineers from home and abroad, and provides customized design services. Using the relevant information data of the construction project as the basis of the model, the building model is established, and the real information of the building is simulated through digital information simulation. At present, we have completed the research and development of the Revit family library of various products of the company, laying the foundation for efficient and accurate design, and at the same time can fully show the detailed nodes and 3D renderings of our company's products to customers.

Project Features: This project is a self-use steel structure warehouse ordered by Lao customers from PTH. The main frame is a traditional steel structure frame, using H-shaped steel + veneer wall panel + thermal insulation roof, the door is 6.6*5m sandwich panel sliding door and 5X5m rolling door

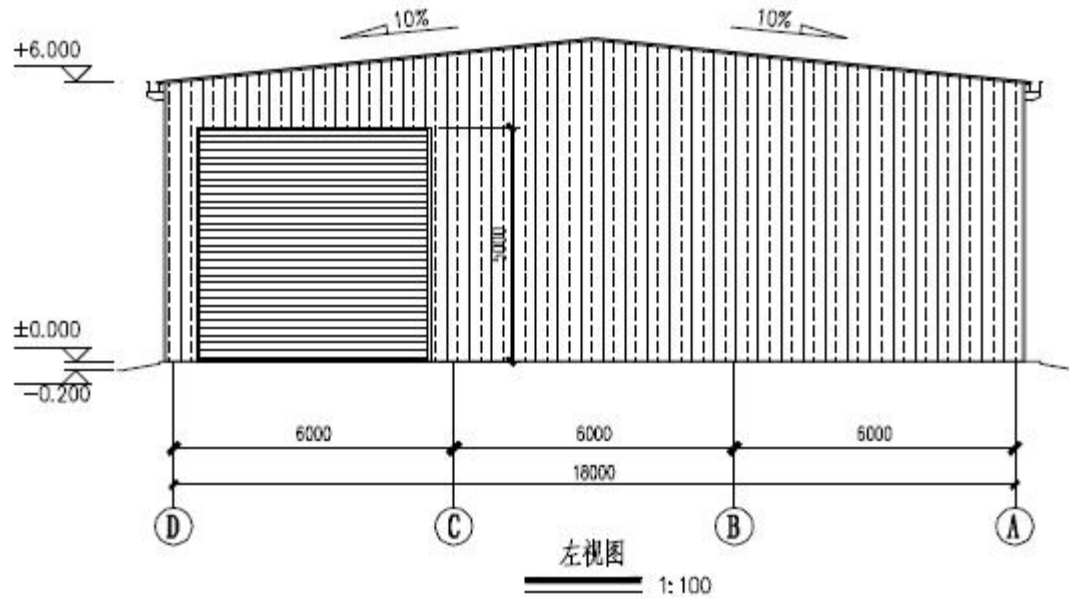
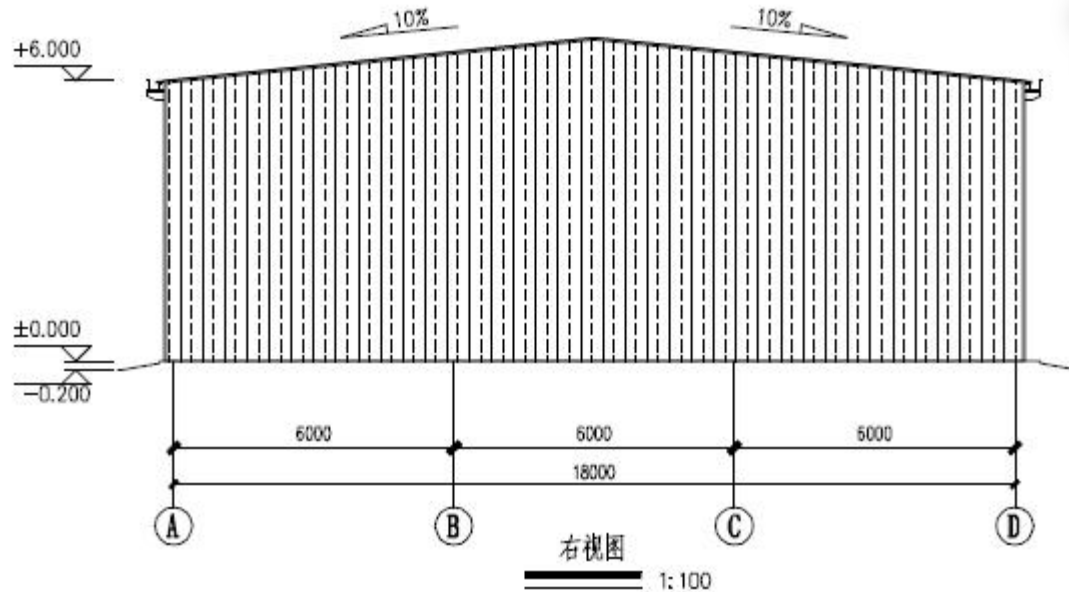
The construction period is short, reducing costs accordingly. The overall construction has light weight, high strength, good overall rigidity and strong durability.

Design

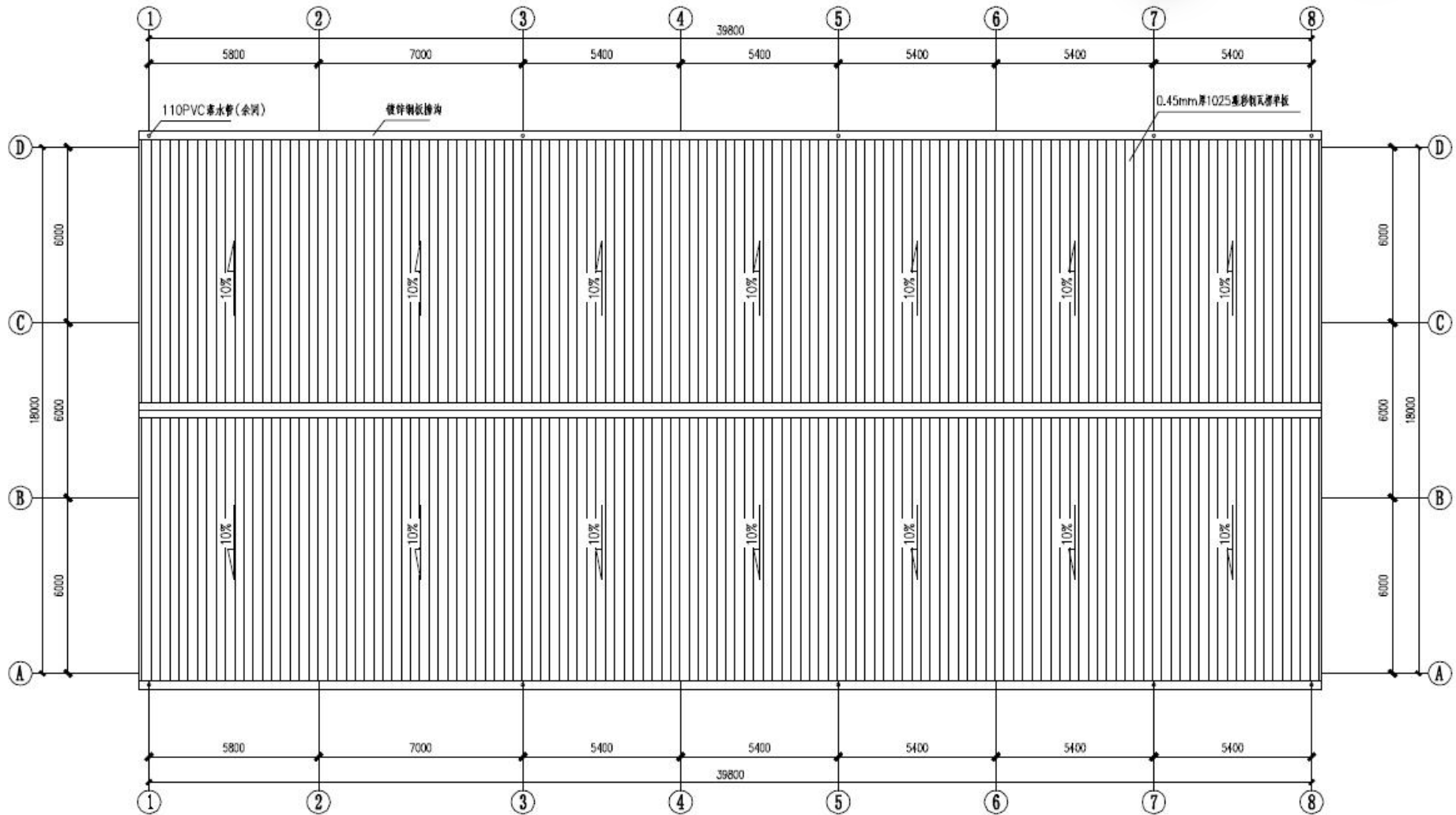


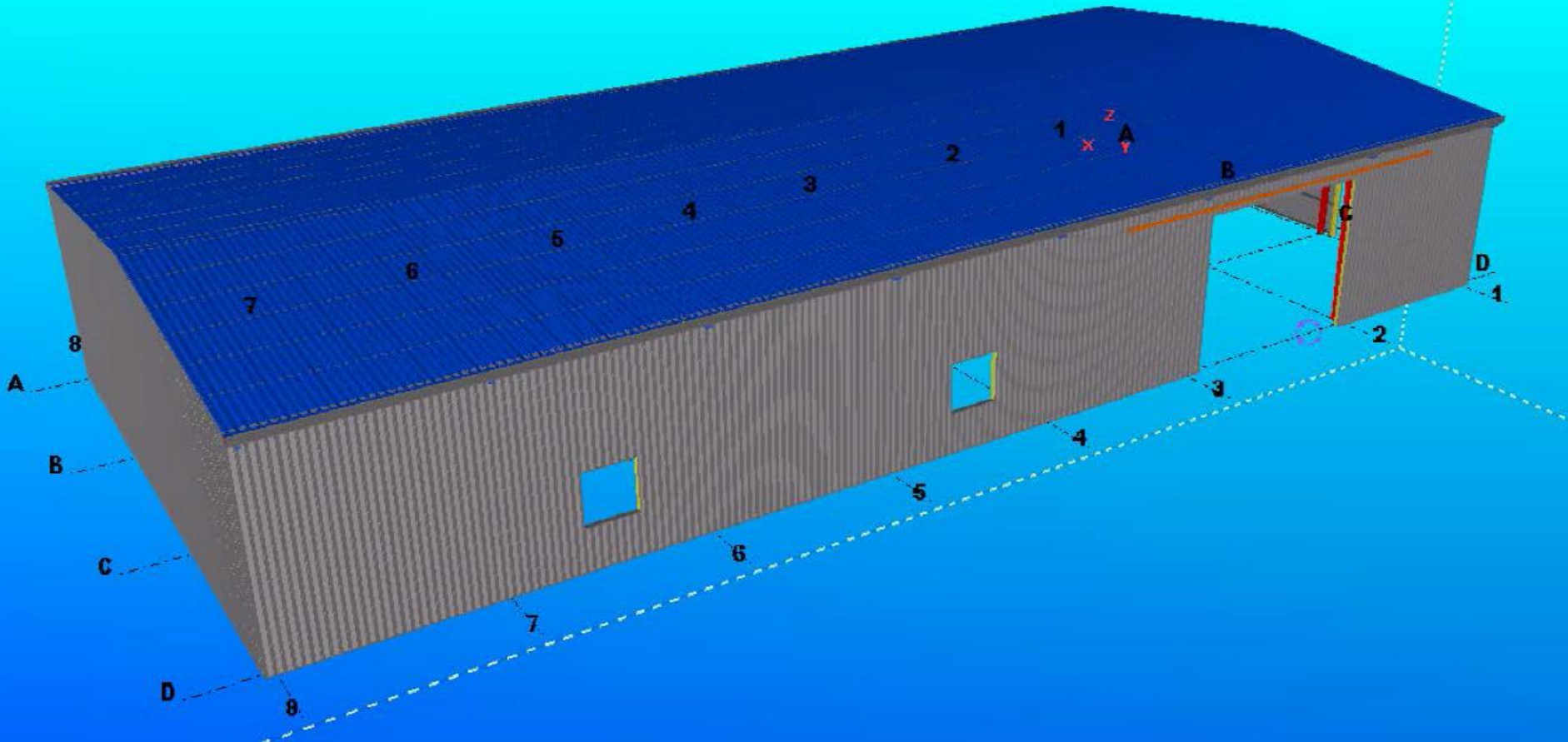
PTH's design drawings are designed according to customer needs and local building codes. After obtaining the local government's permission, the design can be further refined after the local government's review.

Design



Design

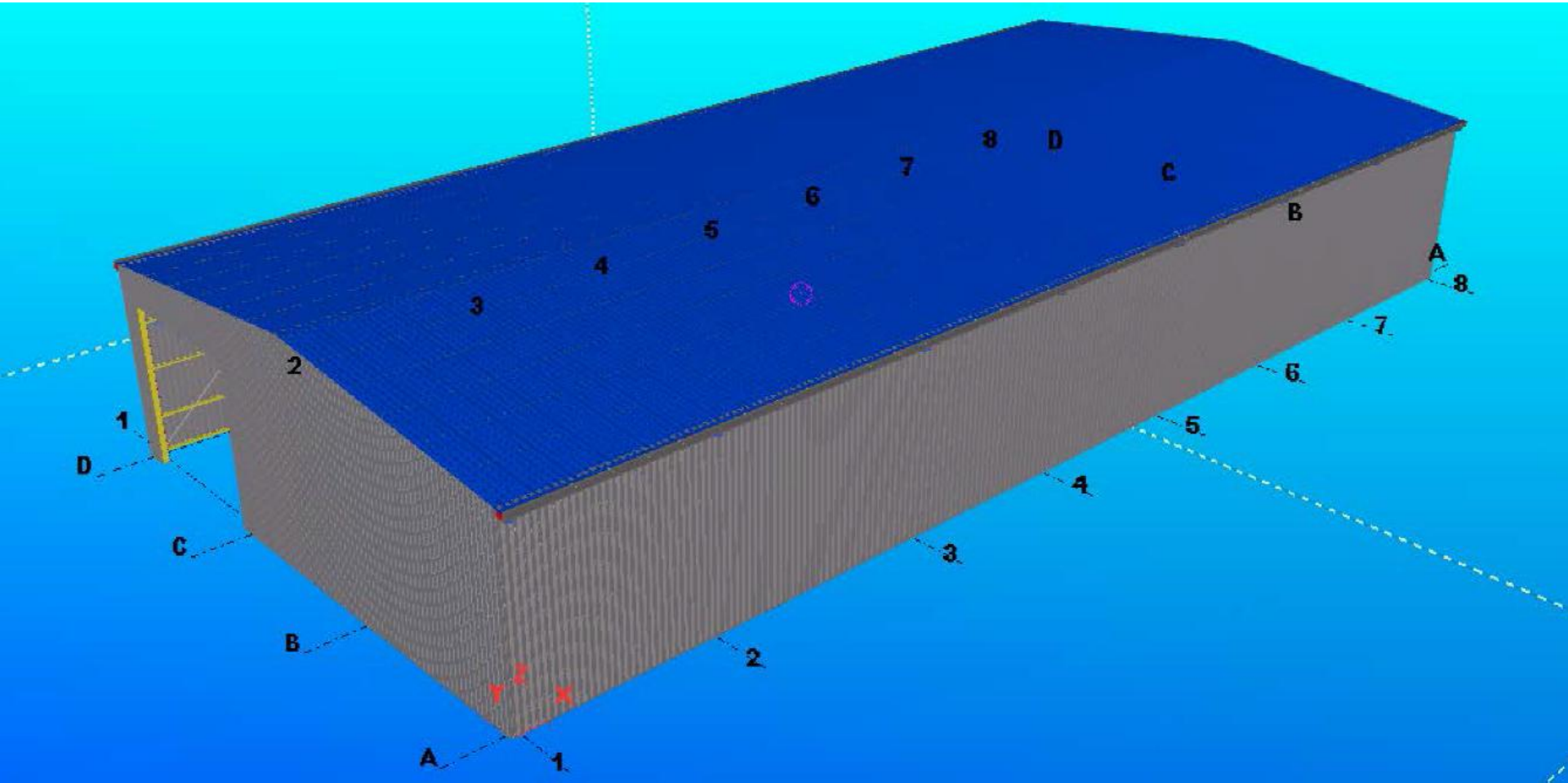




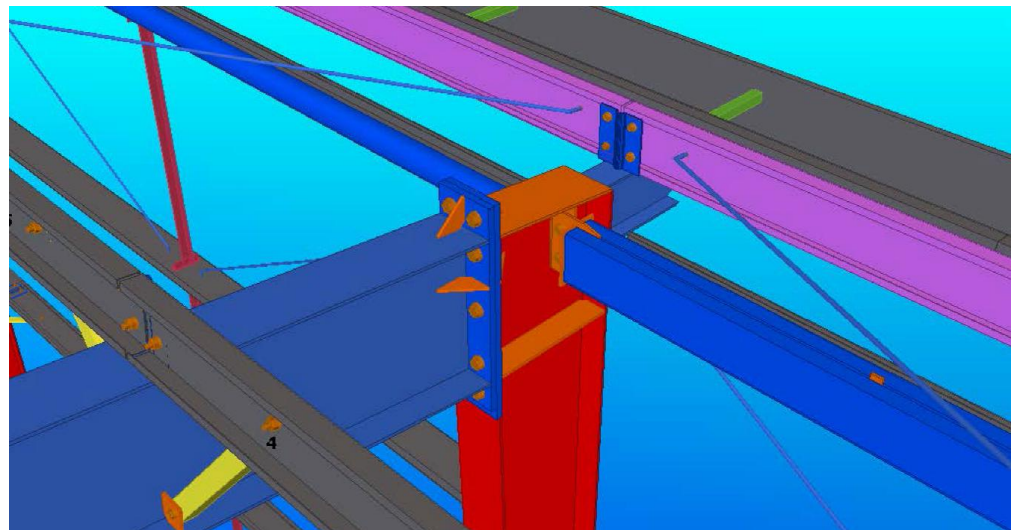
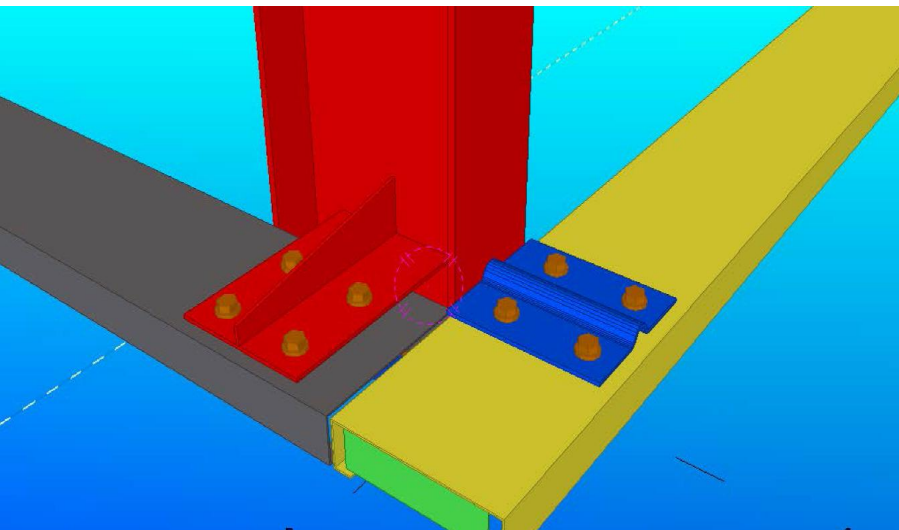
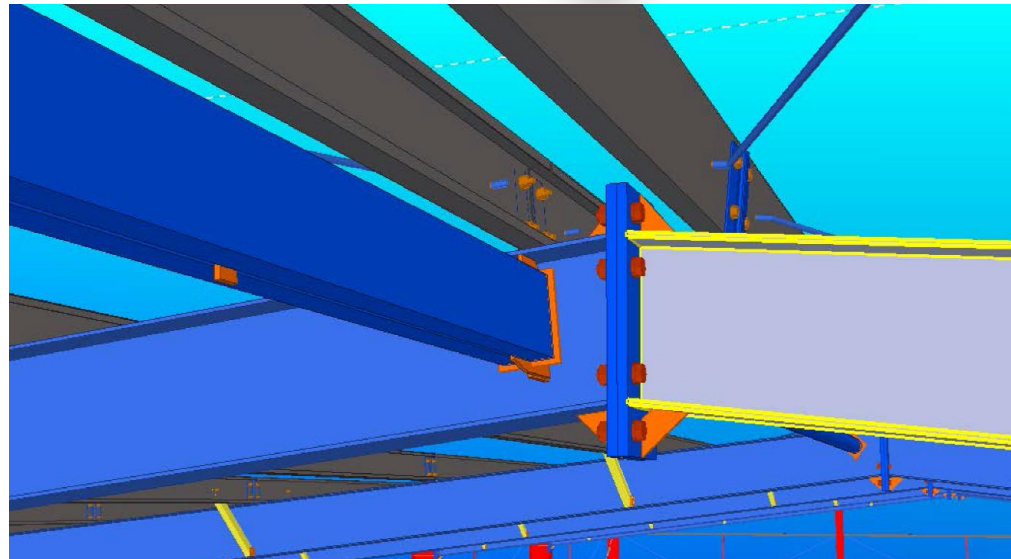
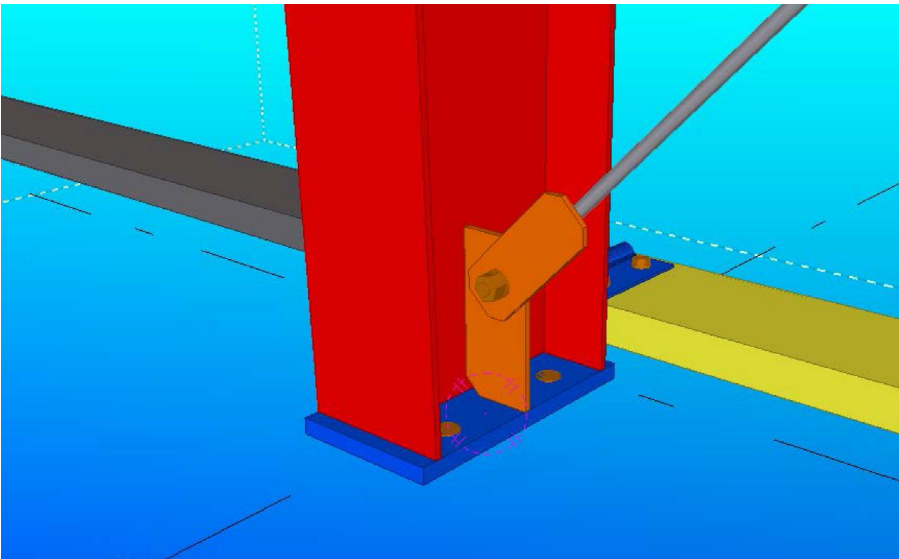
PTH deepening designers use Tekla and FRAMECAD Structure deepening design software. Before deepening the design, you need to check whether the technical information of the design drawing meets the technical requirements of the deepening design, and then carry out the deepening design and production according to the final design drawing.

When deepening the design, it is necessary to ensure that the product assembly size deviation standards, welding quality technical requirements, structural connection nodes, product anti-corrosion processes, etc. meet the design technical specifications.

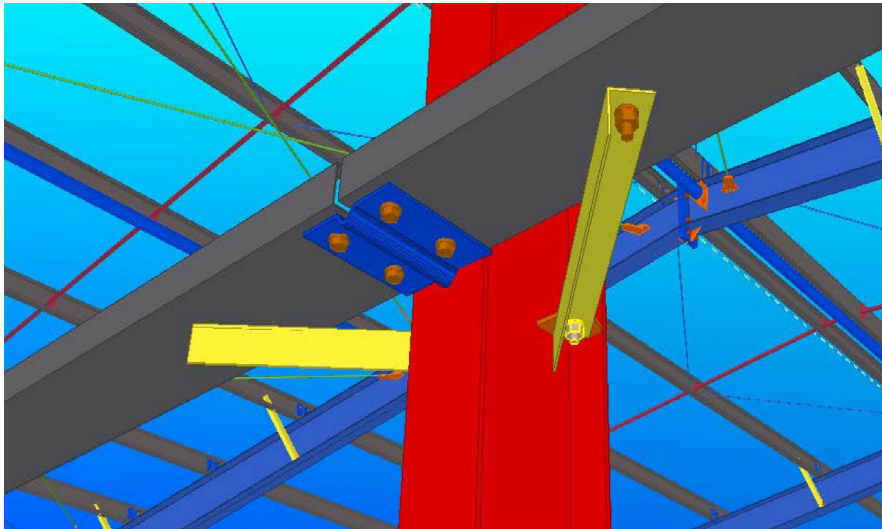
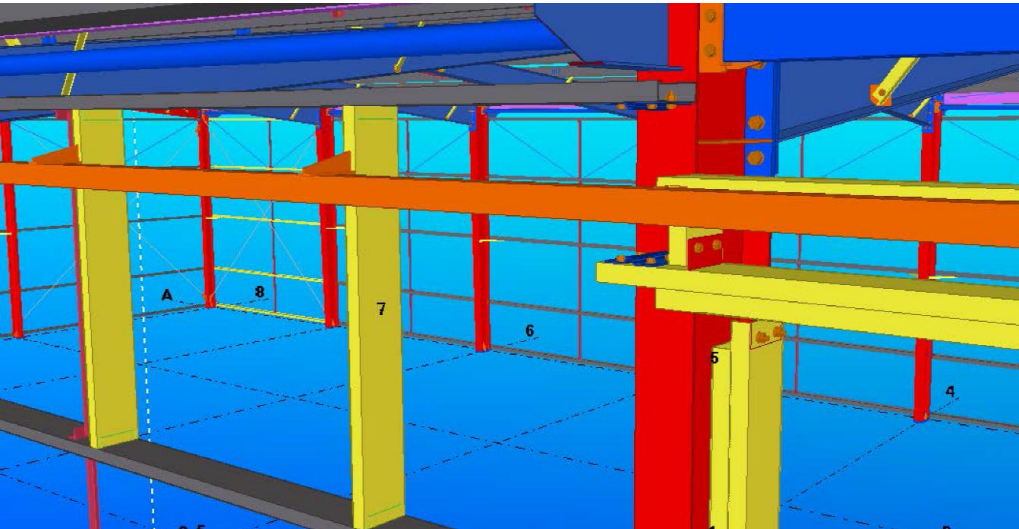
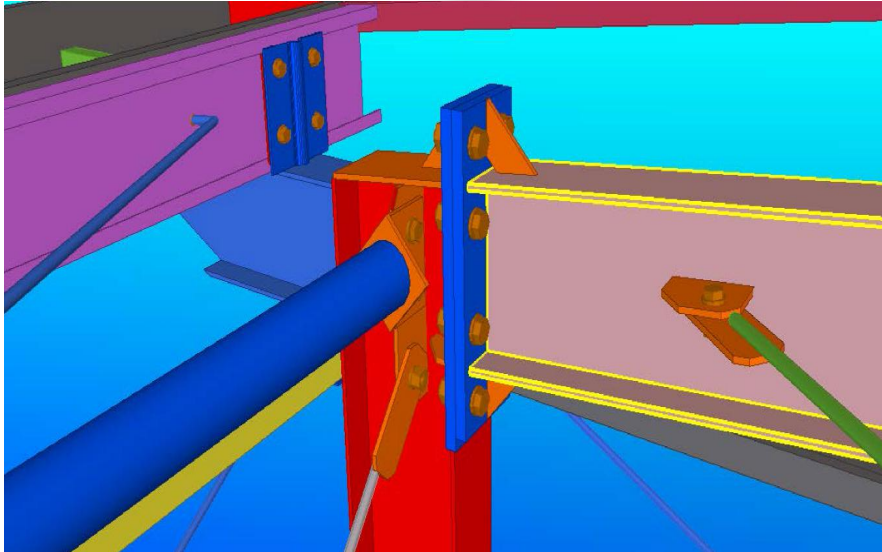
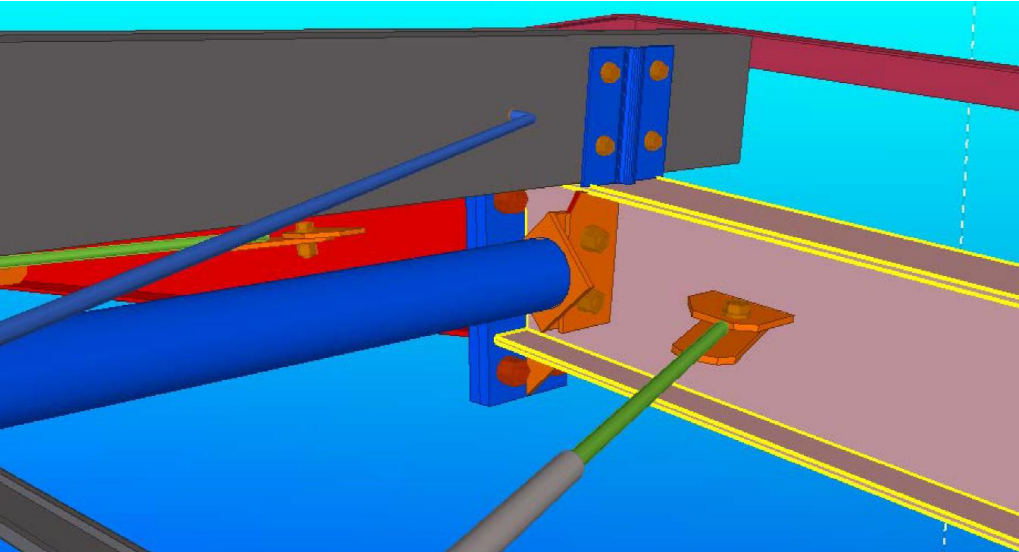
Shop drawings



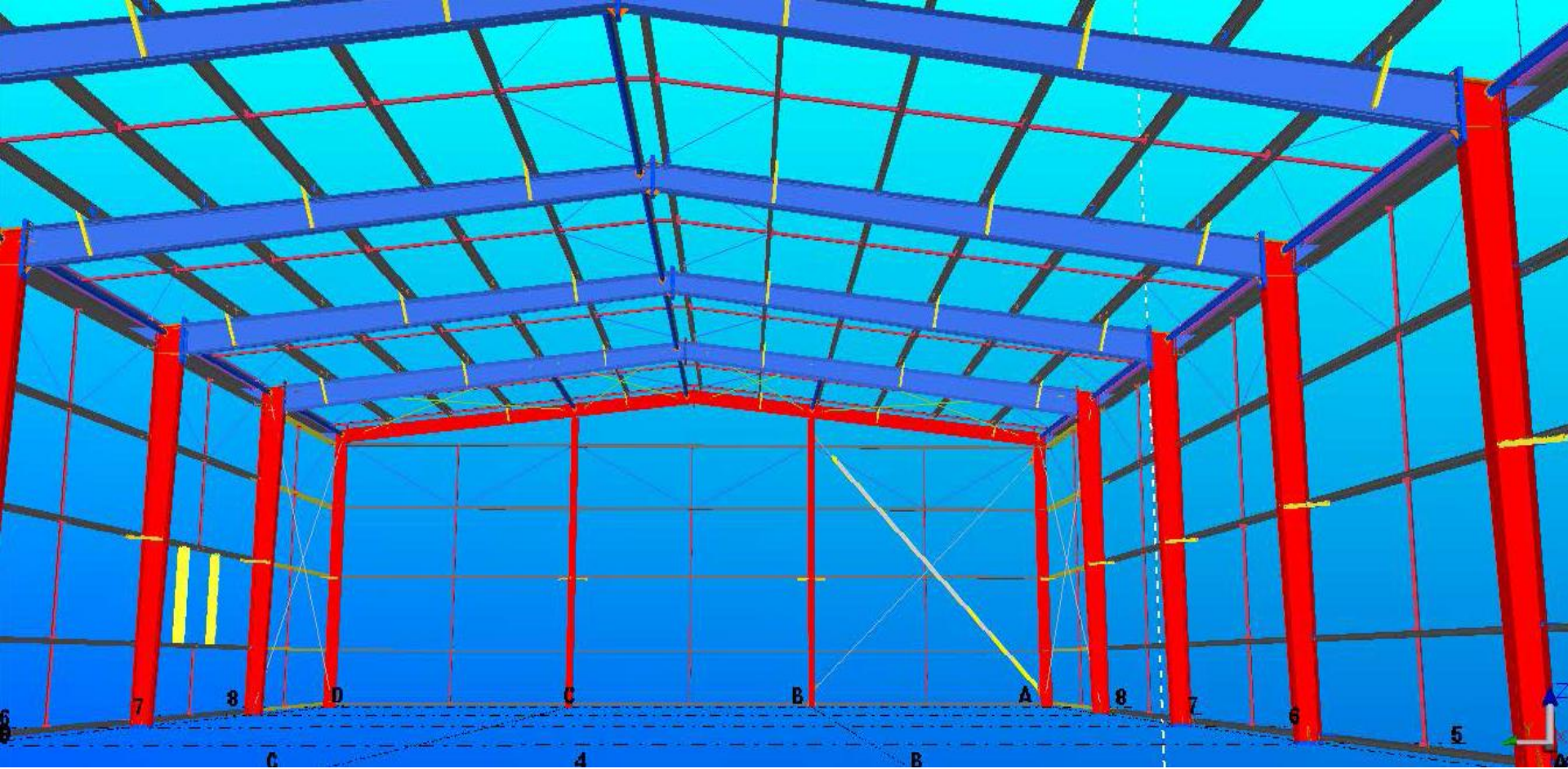
Shop drawings



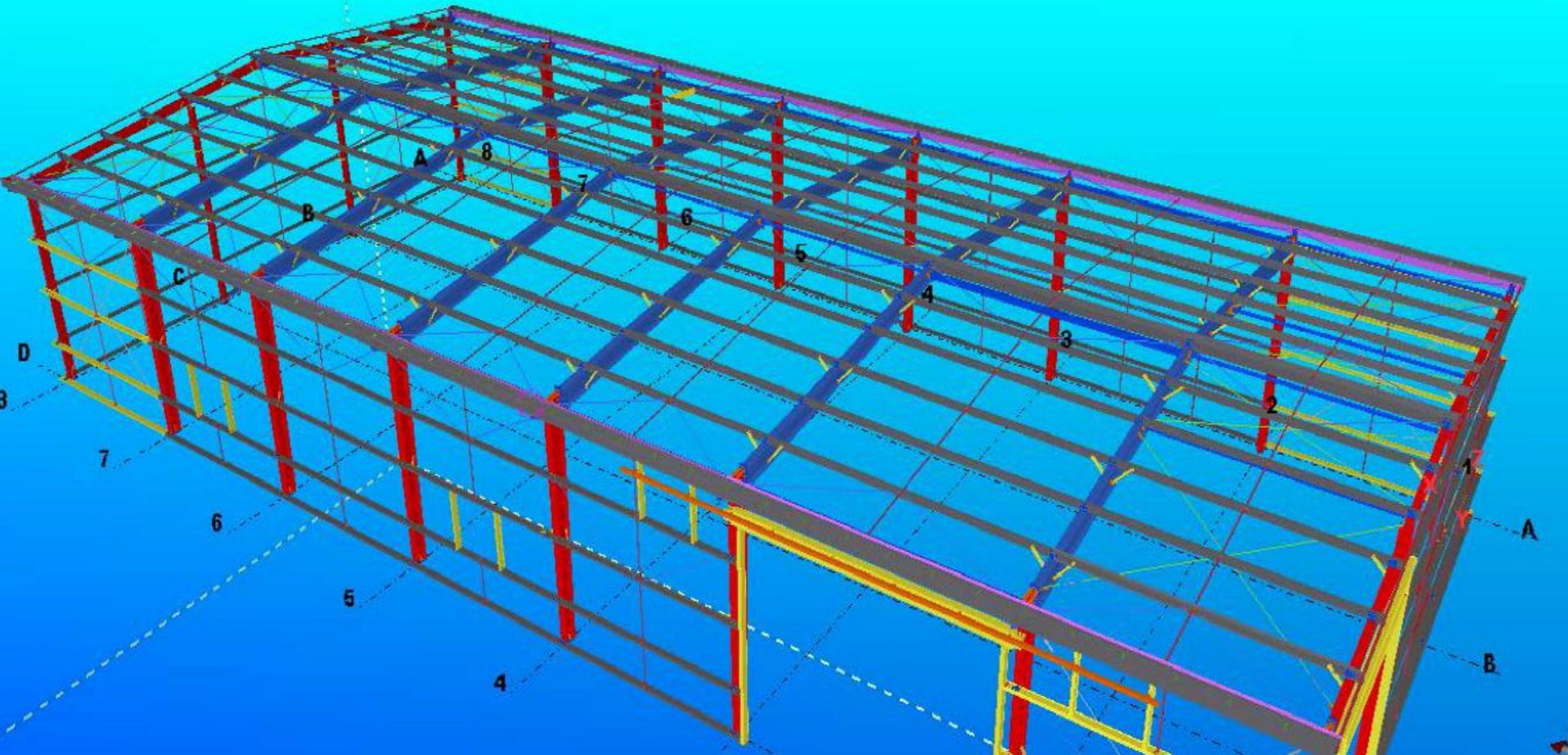
Shop drawings



Shop drawings



Shop drawings



Production delivery



purchase

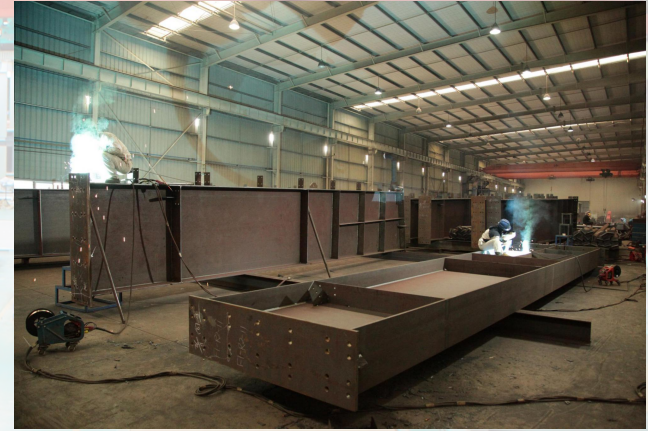
PTH has a mature procurement supply chain, including product raw materials, kitchen and bathroom accessories, household equipment and other supporting facilities.

produce:

PTH has hundreds of fully automated mechanized production lines, which can be combined with efficient production arrangements to provide a strong guarantee for timely delivery of customer orders.

transport:

PTH has more than 10 years of international logistics experience, and can provide customers with the best transportation routes, customs declaration, commodity inspection and other services.



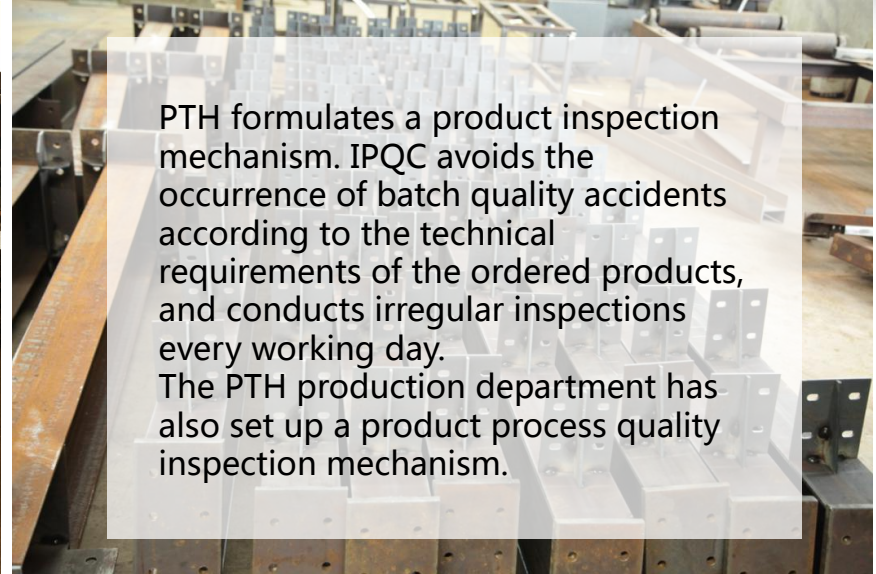
Project production scenarios



PTH follows the ISO9000 quality system document framework, and manages and controls the products. From the beginning of raw material procurement, we strictly control and control.

The original and auxiliary materials and outsourced products need to be inspected. ICQC conducts inspection according to the "original and auxiliary material inspection standards" and confirms that the material quality/information meets the requirements of the design specifications. ICQC uploads the material inspection records, quality documents, and experimental reports to the ERP system

Project production scenarios



Packing and loading

PTH designs reasonable packaging solutions based on product characteristics/customer requirements. Each unit component adopts independent small packaging, which is convenient for transportation and installation. At the same time, it is easy to load and unload, which reduces the labor cost.



Project Installation



PTH will provide complete and detailed installation drawings for the products. We have professional photography and post personnel, can provide installation video for the product, intuitively display the installation steps and installation details of the product.

PTH has on-site installation guidance experience for dozens of projects such as Mozambique Light Steel Villa Resort and Chile Container Camp. It can provide EPC construction services and technical guidance according to customer needs to ensure the smooth and safe construction of the houses required by customers. .

Project Installation



Customer feedback



We use the BIM system to manage and operate the entire project. For the later maintenance of the completed project, PTH can provide remote telephone consultation and guidance according to customer needs, or can provide on-site maintenance and repair services according to customer needs.

The customer has cooperated with PTH many times and is already very familiar with our products. Later, he ordered some container houses for the office inside the warehouse and the terrace bar for double C products.