



PTH

Curacao Steel Structure Stadium

- 1. Project No. : PT180373
- 2. Project Date : Year 2018
- 3. Location : Curacao
- 4. Scale : 917m²
- 5. Category : Steel structure
- 6. Function : Stadium
- 7. Characteristics : Open steel stadium without doors and windows



项目设计



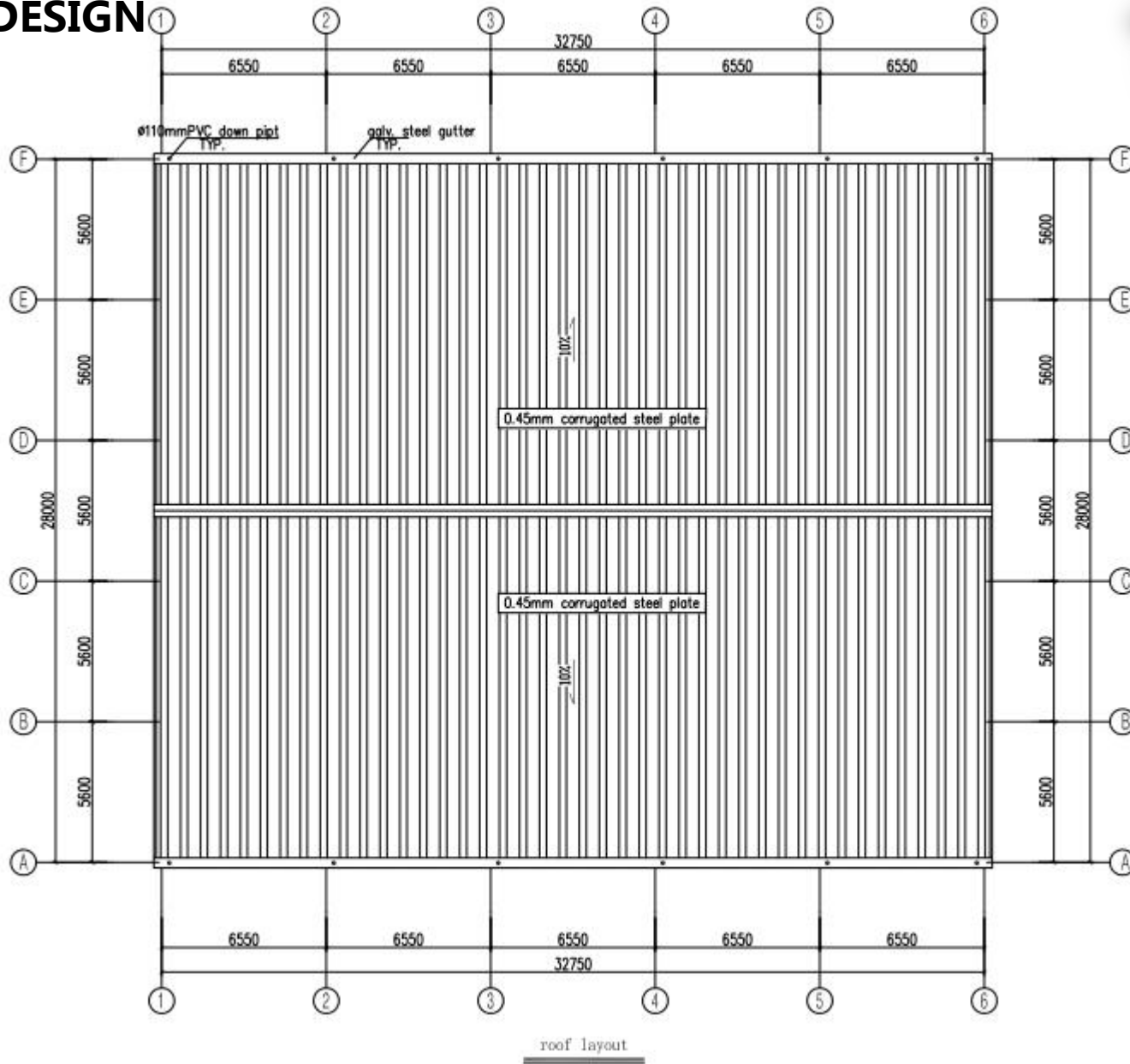
PTH owns 100+ architect and engineers at home and abroad, to provide customized design service for client with different requirements. We use the relevant information data of construction projects as the basis of the model to build the building model, and simulate the real information of the building through digital information simulation.

At present, we have finished the Revit research and development of company's products, laying a solid foundation to finish design effectively and accurately and also presenting details and three dimensional effects of our company's products to customers.

Project characteristics: With the rapid development of industrial construction, steel structure buildings have been widely used. Steel structure buildings have obvious advantages: light weight, high strength, large span, environmental protection, earthquake resistance, and are mostly used in factories, warehouses, public Architecture and special scene architecture.

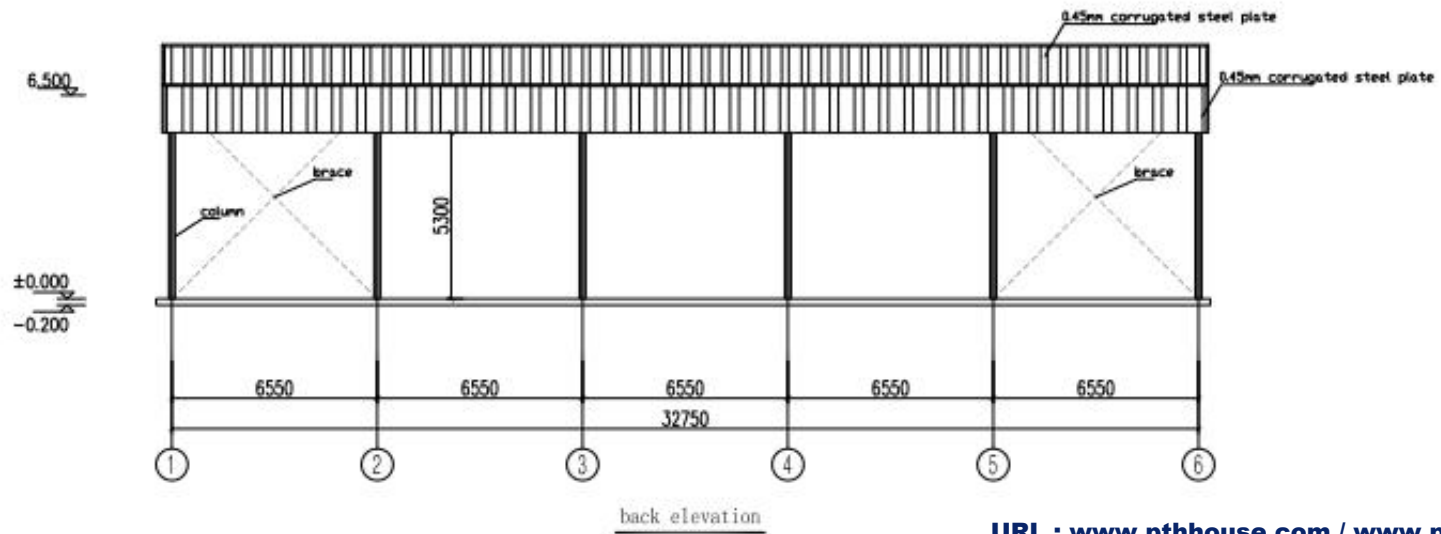
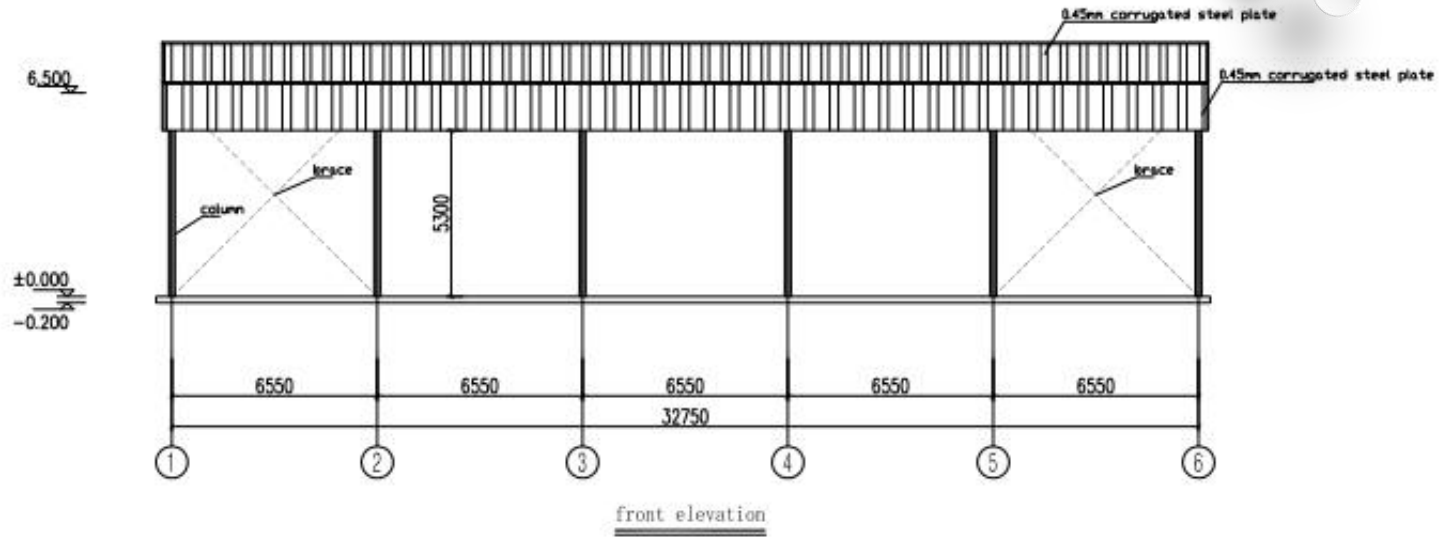
The project is a stadium located at a local school in Curaçao, with a size of 32.75m*28m*6.5m. It is an open steel structure. The maintenance part includes roof panels and upper walls, without doors and windows. The steel surface is treated with epoxy zinc-rich primer.

DESIGN

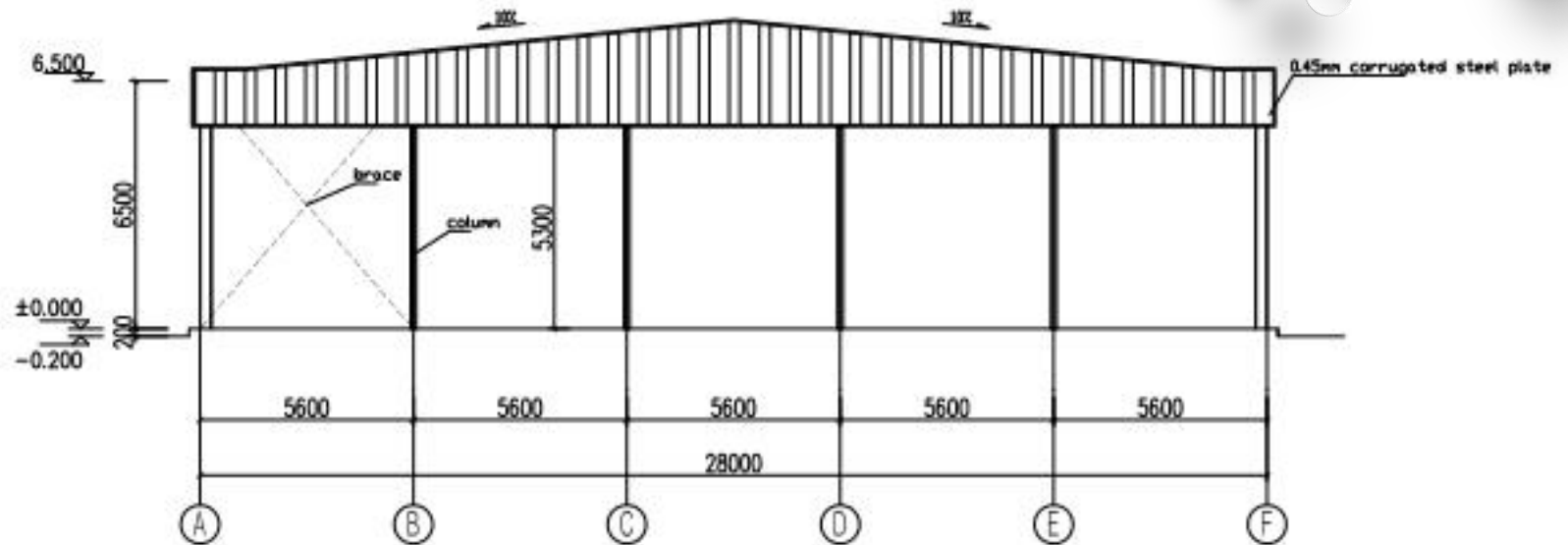


The preliminary design is made in accordance to client's requirement and local building code. After getting the permission by local authority, PTH will do the shop drawing for production.

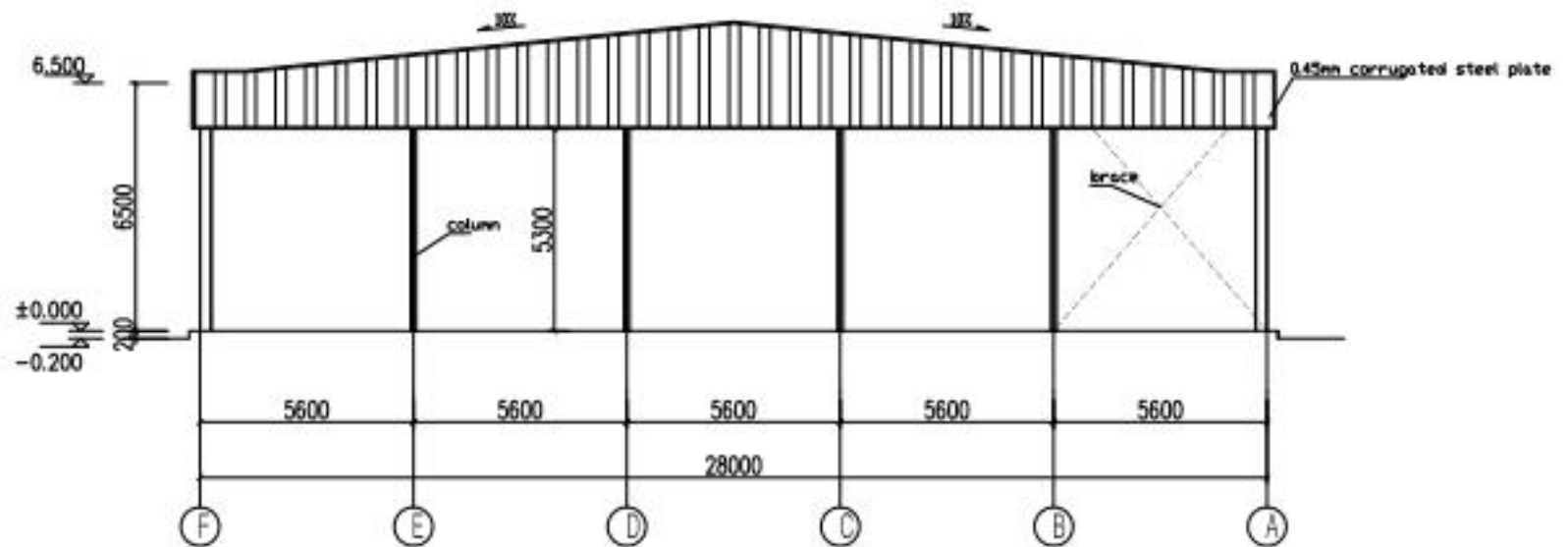
DESIGN



DESIGN

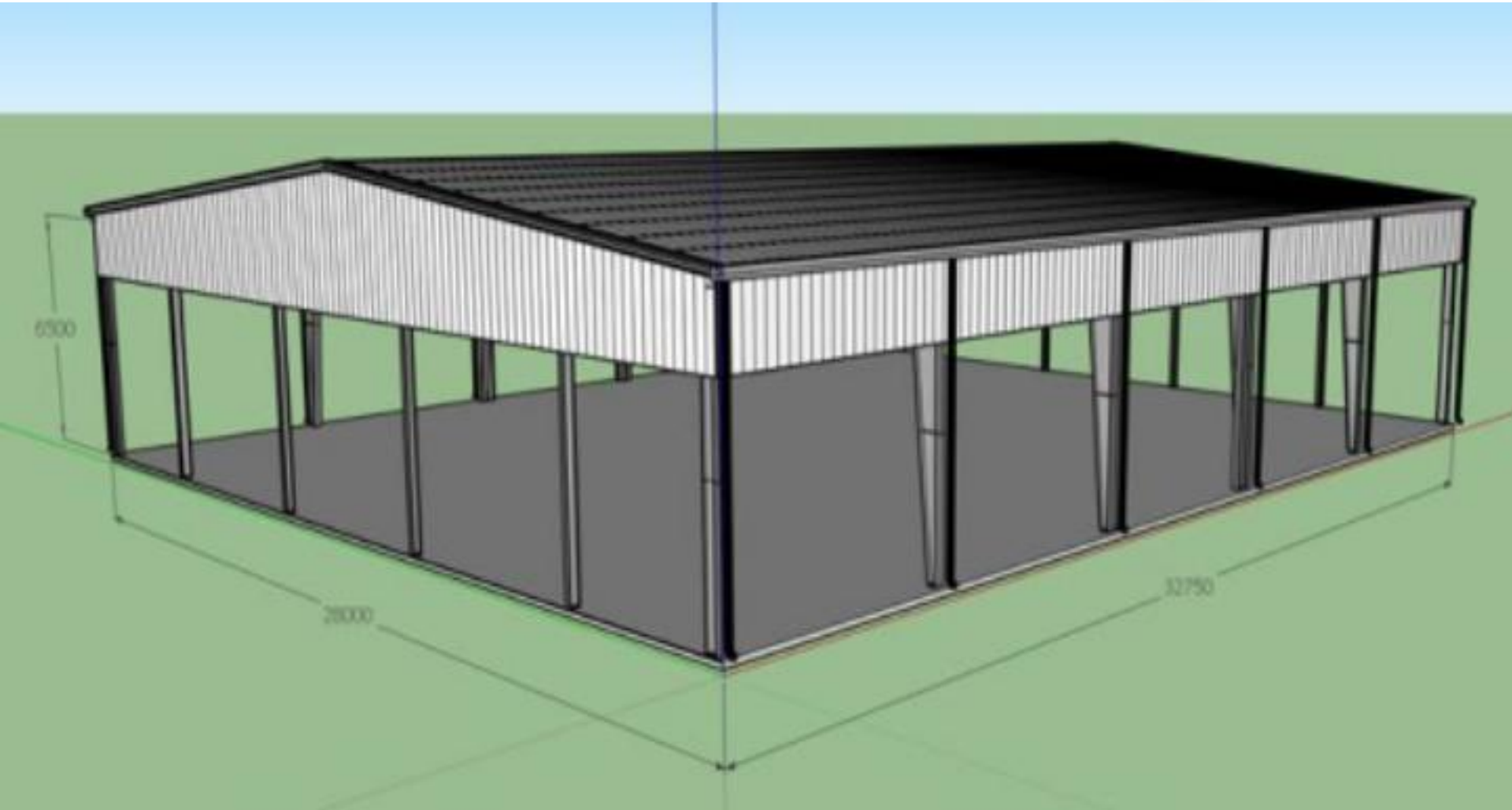


right elevation

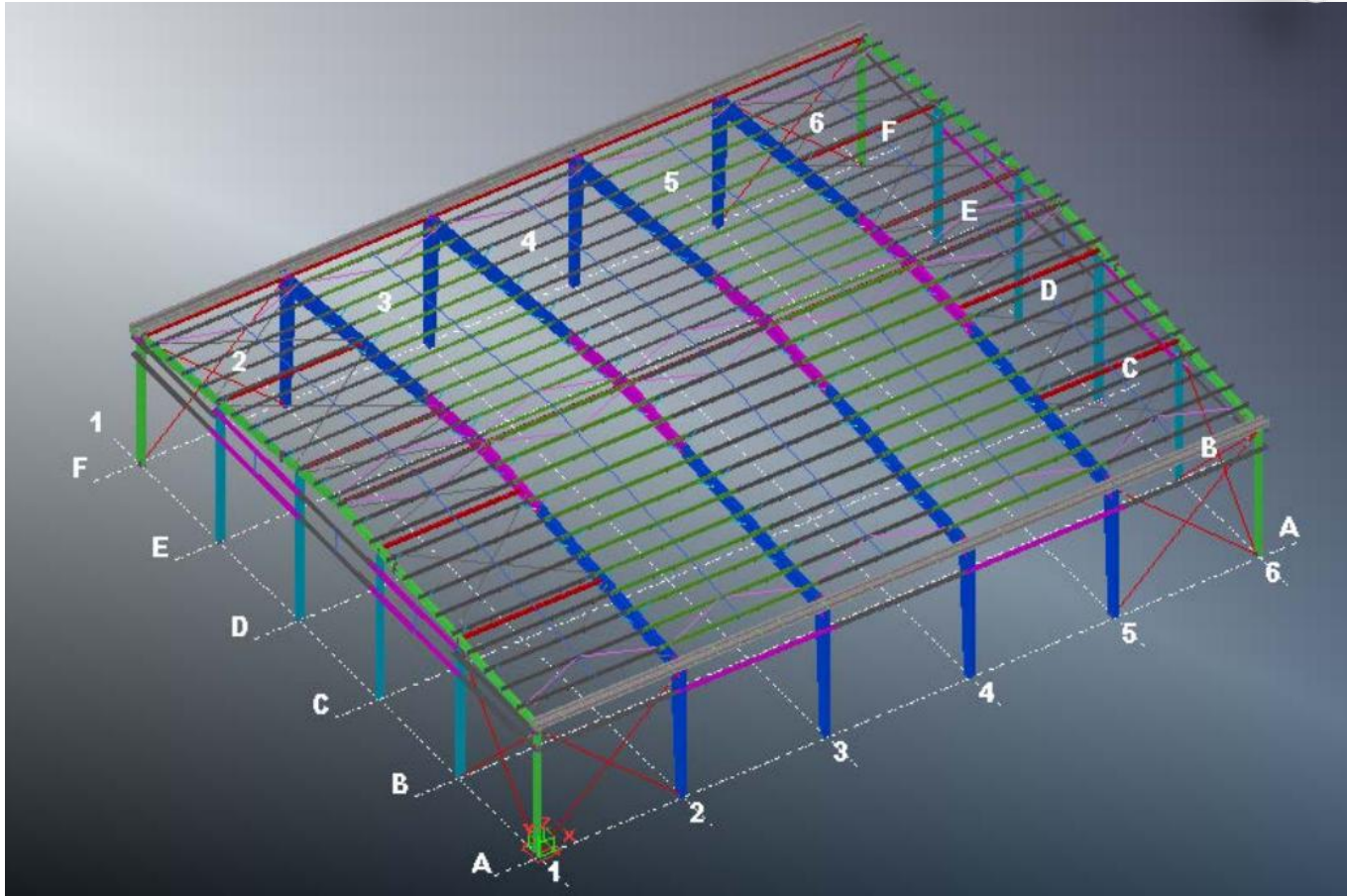


left elevation

DESIGN



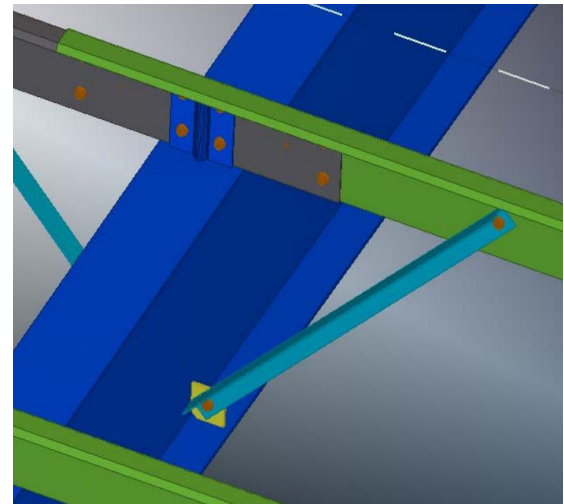
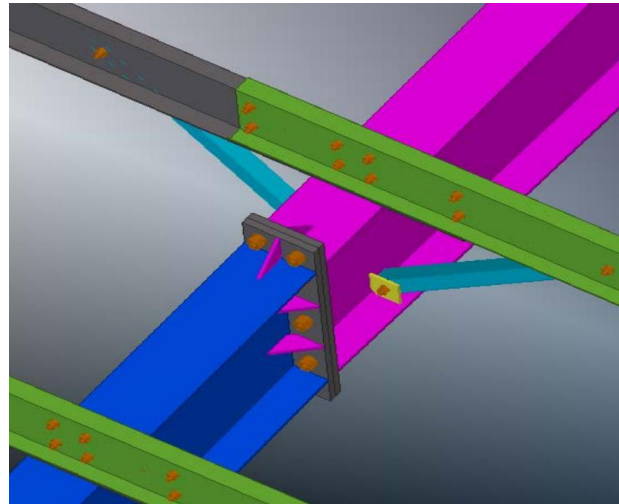
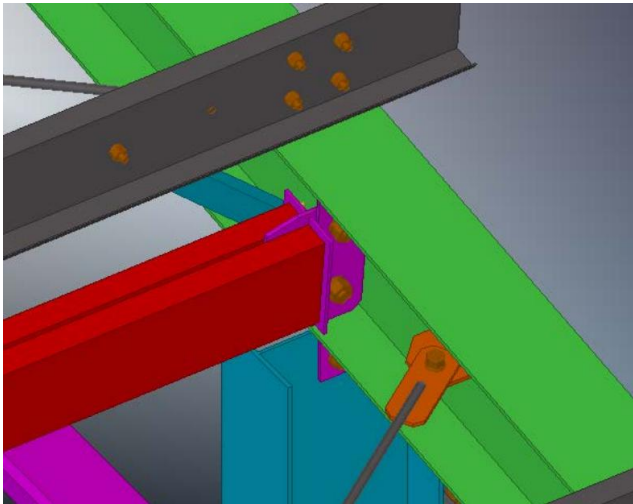
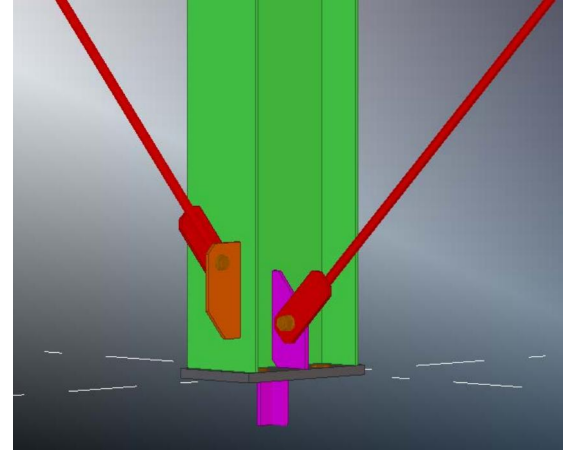
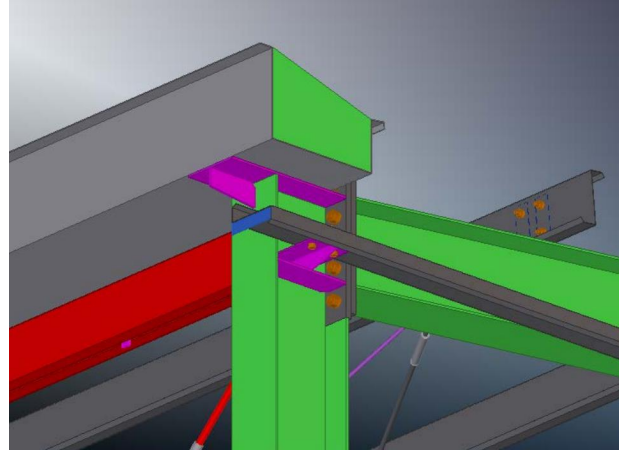
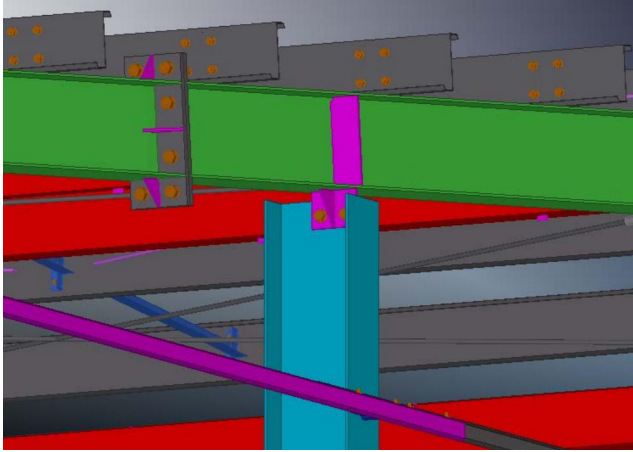
DESIGN



PTH detail designer adopts Tekla and FRAMECAD Structure detailed design software. Before deepening the design, you need to check whether the technical information of the design drawing meets the technical requirements of the deepening design, and then carry out the deepening design and production according to the final design drawing.

When deepening the design, we must ensure that the product assembly size deviation standards, welding quality technical requirements, structural connection nodes, product anti-corrosion processes, etc. meet the design technical specifications.

DETAIL DESIGN

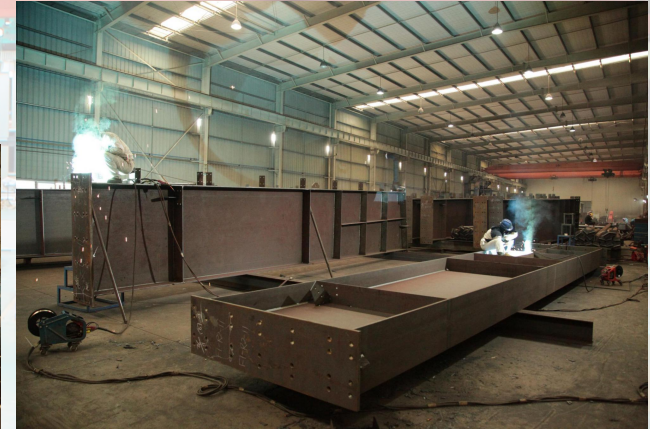


PRODUCTION & DELIVERY



PROCUREMENT :

PTH has a mature procurement supply chain, including product raw materials, kitchen and bathroom accessories, home equipment and other supporting facilities. Each year, PTH conducts quality assessments of suppliers, resolutely rejects unqualified suppliers, and guarantees the quality of products from the source.



PRODUCTION :

PTH owns hundreds of fully automatic mechanized production lines, which ensures high production efficiency and timely delivery. In the manufacturing process, PTH can provide production progress reports to customers through pictures and video. PTH has a professional quality inspection team which takes strict quality control in each process, and make sure defect product never be delivered to client.



TRANSPORTATION :

PTH, who has more than 20 years of international logistics experience. can provide customers with the best transportation routes, customs declaration, commodity inspection and other services, and truly realizes "door to door."

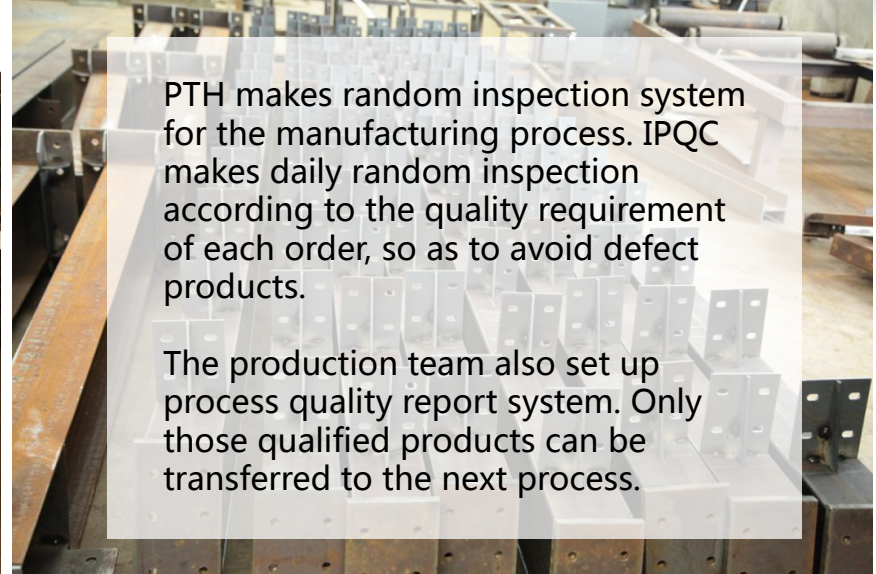
PRODUCTION PICTURES



Quality is the life of a enterprise and the foundation of sustainable development. PTH strictly follows the ISO9000 quality system and make quality control in each process from material procurement to finish product delivery.

For the outsourcing raw material and accessories, it is reported to the ICQC team for inspection. ICQC will inspect according to "Raw Material Inspection Regulations", make sure the material technical specs and quality meets GB standard, then upload the inspection record, QC document and test report to ERP system

PRODUCTION PICTURES



PACKAGE & LOADING



PTH makes the most reasonable package plan according to the structure characteristics and quality requirement. The modular package design of the spare part effectively reduce the package volume. The spare parts of each module is packed in a separate package, these small package modular combination ensures a easy transportation and installation, which in return makes the loading and unloading much easier, and greatly reduces labor cost.



PACKAGE & LOADING



CLIENT FEEDBACK



We use BIM system to manage and operate the whole project. For the maintenance, PTH provide online technical support or maintenance service on the site per client requirement.

After the completion, the steel structure stadium brought a lot of joy to the students of the local school. The customer was very satisfied with the service of PTH and introduced new customers to cooperate with PTH.



Project feedback picture



Project feedback picture



Project feedback picture



Project feedback picture

